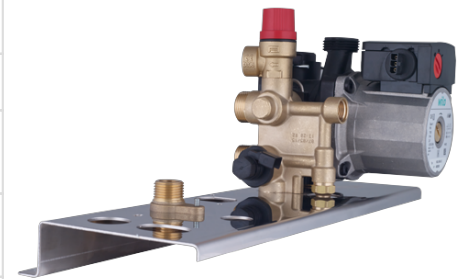


**Valves / Hydroblocks / HB-1536**

**CONSTRUCTIVE PROPERTIES**

	STANDARD	OPTIONAL
Material	Brass	-
Hydroblock Type	Monothermic	-
Domestic Hot Water Flow Rate (Inlet Block)	8 lt / min.   10 lt / min.   12 lt / min.   15 lt / min.	
Safety Valve Opening Pressure (nominal)	3 bar	Varies as per customer request
Flow Sensor Type	Turbine (Hall Effect-Variable)	
By-Pass Type	Internal - Through heat exchanger	-



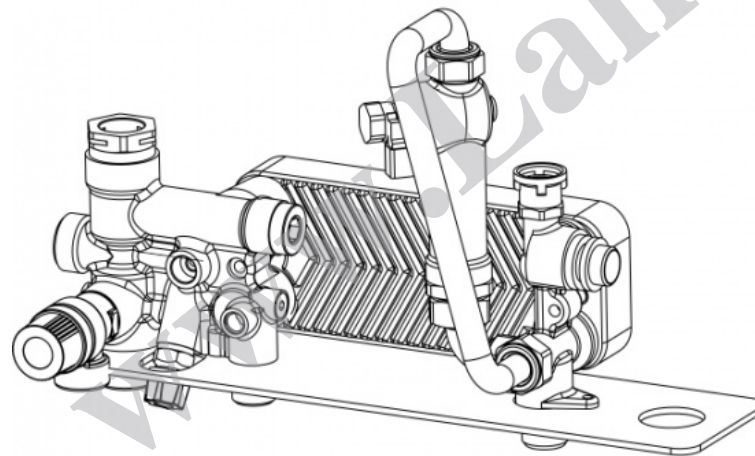
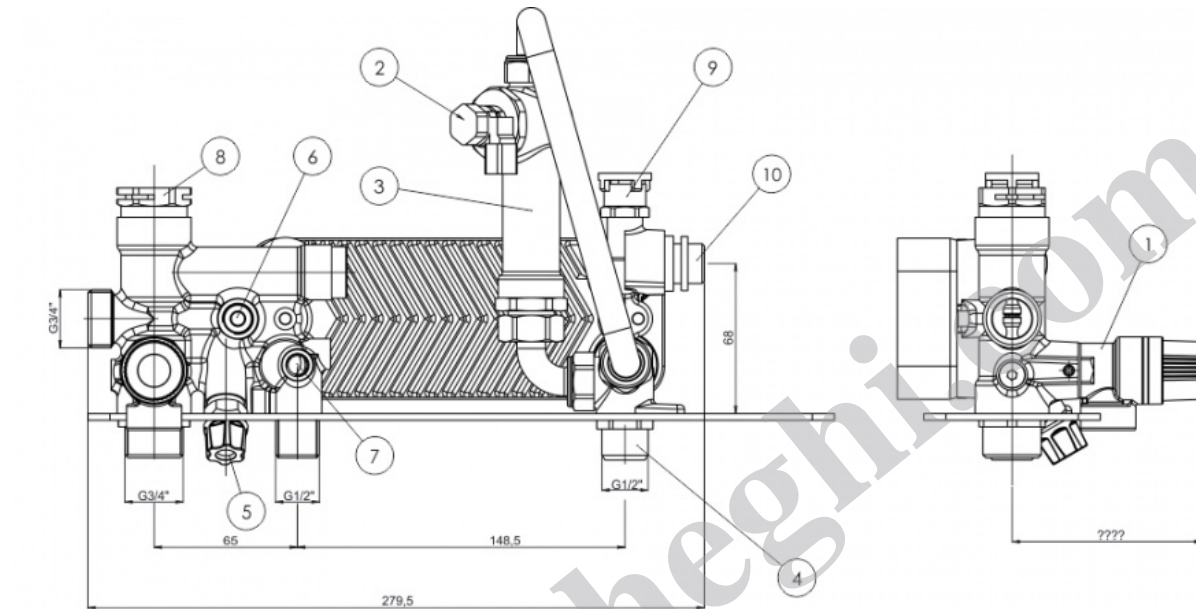
**HB-1536**

**USAGE PROPERTIES**

Storage Temperature	-20 ... +60 °C	-
Max. Water Temp.	120°C	-

www.Laheghi.com

Valves / Hydroblocks / HB-1536



1	Safety valve-3bar
2	Flow Sensor (Turbine Type,Hall Effect)
3	Flow Regulator
4	Filter
5	Filling Tap
6	Manometer Connection-G1/4"
7	NTC Connection-G1/8"
8	3-Way Valve Group
9	High Pressure Connection
10	Pump Connection

Model No: HB-1536